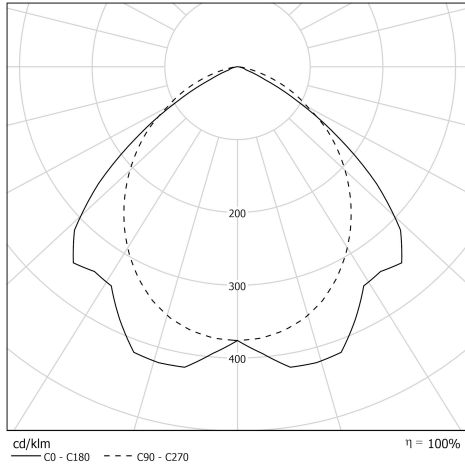




## Description

- CALMETTE built-in light fitting with maintenance from above
- Reflector in anodised aluminum
- Entire housing and upper cap in white powder coated steel
- Methacrylate fixed glass compatible with cleaning agents with stainless steel frame
- Passive heat sink in aluminium

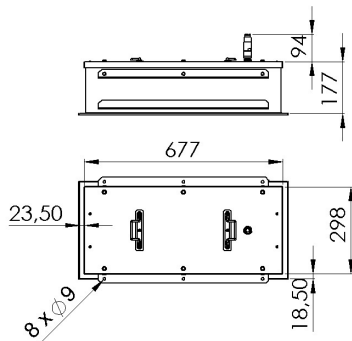


## Light specifications and controlling

- High efficiency replaceable LED modules (IRC>80, 70 000 hours L80/B10@Tmax)
- Luminous flux: 3600 lm
- Colour temperature: 4000K
- Light mixing chamber
- Resistant LED driver 'Industry', non-dimmable
- Compatible with neutral TN, TT and IT arrangements with no limitations

## Installation and maintenance

- LxH (mm): 677x298x232
- 13x1,5mm<sup>2</sup> disconnectable plug lockable with threaded ring (capacity: Ø8 to 11 mm)
- Connection with disconnectable plug 3x1,5mm<sup>2</sup>
- Embedding by insertion of the housing under the ceiling, use of silicone for imperviousness and blocking of the lower housing in the ceiling by installing 2 top corners
- Maintenance is carried out from above



## Characteristics

- Warranty : 8 years 24/7 use at max temp
- Operating temperature: -20°C +40°C
- Protection: IP68 clean room side, IP65 maintenance side
- Resistance to IK shocks: IK09
- Class I
- Supply voltage: 220-240V 50/60Hz
- Power consumption: 32 W
- Resistance to overload: 320 V AC, 48 h (Supports voltage spikes < 4 kV)
- Photobiological hazard: Group 0
- T°C with incandescent wires: 650°C
- Number of luminaires on automat type B16: 32 pcs
- Vibration resistance: Meets the severe application requirements of the standard EN 60598-1 (tested according to CEI 60068-2-6)
- Weight: 13 kg
- Designed and made in France

