

Pierre Guariche

90250030
G25SUSP BK/WH
Pendant lamp



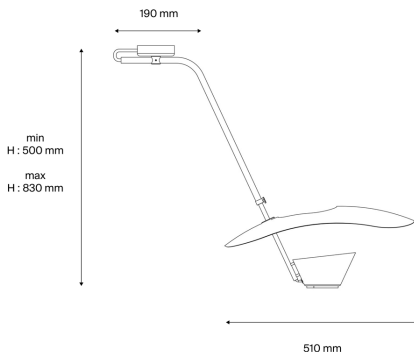
Description

- G25 Pivoting Pendant lamp
- Finish: BLACK shade and WHITE deflector
- Painted aluminium shade and micro-perforated painted steel deflector
- Painted steel ceiling structure and aluminium rose for connection to 3G1.5 terminal



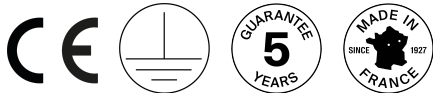
Light specifications and controlling

- E27 cap bulb not included - Max power 11W LED
- Dimming: No



Installation and maintenance

- Dimensions : 190 x [Min 500 ; Max 830] x 510 mm
- Connection to 3G1.5 terminal block



Characteristics

- Warranty : 5 years
- Operating temperature: -20°C to +30°C
- Electrical class: Class I
- Power supply: 220-240 V 50/60 Hz
- Weight: 2,8 kg
- Designed and made in France