

Pierre Guariche

90250010
G25 BK/WH
Wall lamp



Description

- G25 Tilting wall lamp
- Finish: BLACK shade and WHITE deflector
- Painted aluminium shade and micro-perforated painted steel deflector
- Painted steel wall fitting and satin-varnished brass retaining clips
- Brushed and satin-varnished brass structure

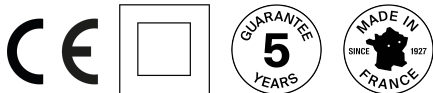
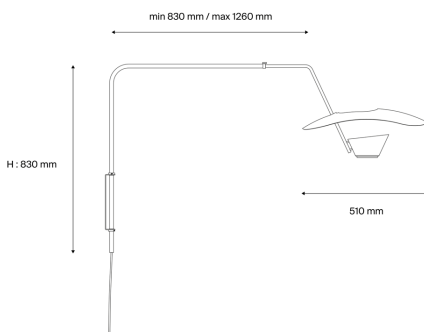


Light specifications and controlling

- E27 cap bulb not included - Max power 11W LED dimmable
- Dimming: Dimmer integral to the power cable (dimming subject to a compatible lamp being fitted)

Installation and maintenance

- Dimensions : 390 x 830 x [min 1260 ; max 1640] mm
- Supplied with 2.5 metres of cable and Europlug



Characteristics

- Warranty : 5 years
- Operating temperature: -20°C to +30°C
- Electrical class: Class II
- Power supply: 220-240 V 50 Hz
- Weight: 3,2 kg
- Designed and made in France