

Pierre Guariche

90012150
G1F BG/WH
Floor lamp



Description

- G1 Pivoting floor lamp
- Finish: 2 BRITISH GREEN exterior/WHITE SATIN interior laquered aluminium shade
- WHITE SATIN laquered metal barndoor cup
- Mast mounted on a BLACK laquered metal base
- Articulated arm with brushed and satin-varnished brass ball counterweight

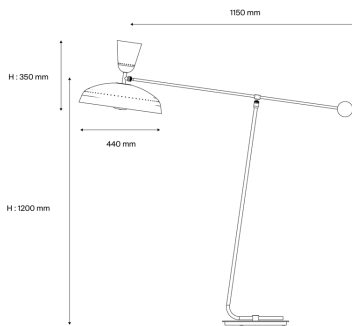


Light specifications and controlling

- 2 x E27 cap bulbs not included - Max power 11W LED dimmable
- Dimming: Dimmer integral to the power cable (dimming subject to a compatible lamp being fitted)

Installation and maintenance

- Dimensions : 1150 x 1200 x 350 mm
- Supplied with 2.5 metres of cable and Europlug



Characteristics

- Warranty : 5 years
- Operating temperature: -20°C to +30°C
- Electrical class: Class II
- Power supply: 220-240 V 50 Hz
- Weight: 13 kg
- Designed and made in France