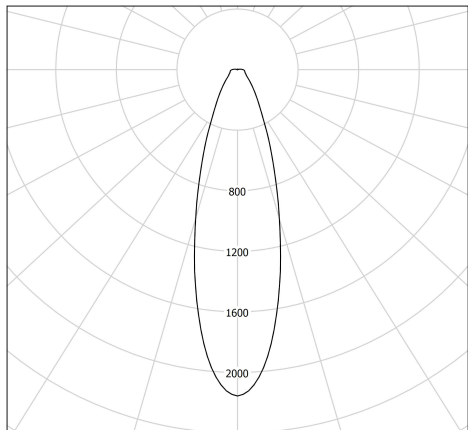




## Description

MOD ON TRACK spotlight for rail (Stefan Diez design). Black adaptator for 3-phase track. BRONZE finishing. Equipped with an interchangeable GLASS shade SMOKED. Low-voltage head, diameter 100, can swivel through 360° thanks to a nickel-plated copper double hoop. Bronze anodised aluminium fin passive heat sink. Interchangeable tubular shade in smoked tempered glass

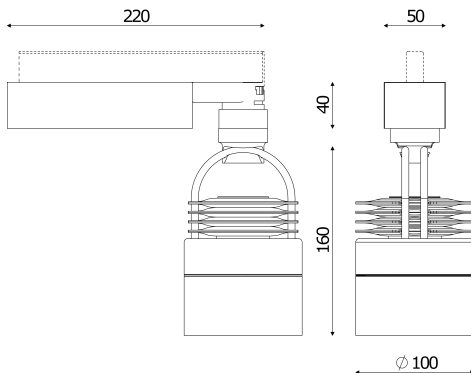


## Light specifications and controlling

- CoB LED Module 900 lm (without endcap), IRC>90, 2700 K, 3 SDCM
- Interchangeable optics unit composed of a mixing chamber and a sandblasted glass lens with controlled lateral glare
- Constant Current Driver (non-dimmable)

## Installation and maintenance

- Dimensions : Head : Ø100x160 mm, Box : 220x40x50 mm
- containing a 220-240 V 50/60 Hz power supply, compatibility with most of Hoffmeister, Erco, Zumtobel, Eutrac, Nobile Ivela and Elpro rails to be checked



## Characteristics

- Warranty : 5 years
- 50 000 h L80/B10 at 25°C
- Operating temperature: -5 °C to +35 °C
- Protection : IP20
- Electrical class: Class I
- Power consumption: 13 W
- Photobiological hazard: Group 1
- Fire resistance: 850 °C
- Weight: 0,94 kg
- Designed and made in France and Germany